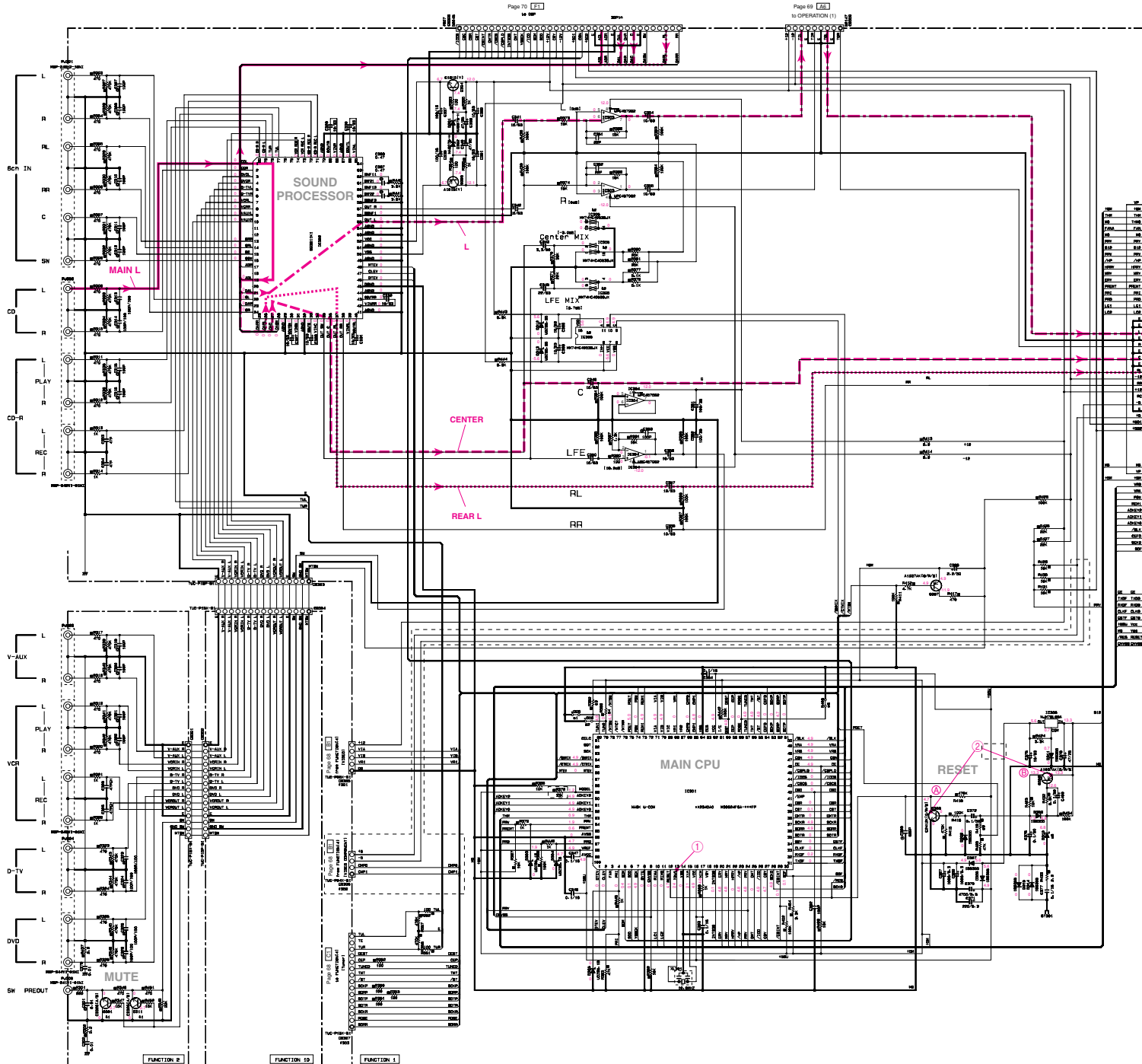
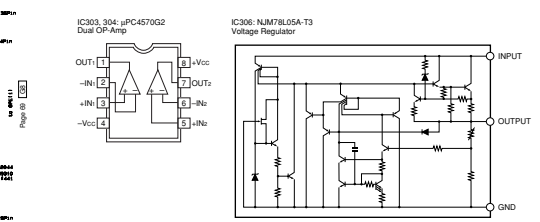
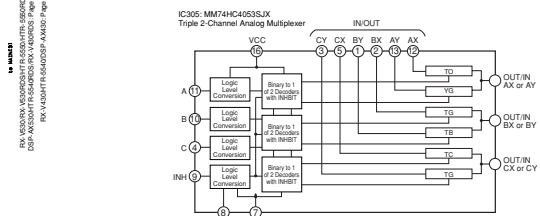
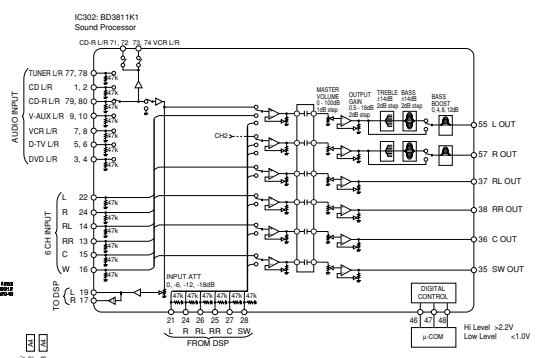


■ SCHEMATIC DIAGRAM (FUNCTION 1/2)

- * All voltages are measured with a 10MΩ/V DC electric volt meter.
- * Components having special characteristics are marked Δ , and must be replaced with parts having specifications equal to those originally installed.
- * Schematic diagram is subject to change without notice.
- 電圧は、内部抵抗10MΩの電圧計で測定したものです。
- Δ 印のある部品は、安全性確保部品を示しています。部品の交換が必要な場合、パーツリストに記載されている部品を使用してください。
- 本回路図は標準回路図です。改良のため予告なく変更することがございます。



RX-V530/RX-V530RDS/HTR-5550/HTR-5550RDS/DSP-AX530
RX-V430/RX-V430RDS/HTR-5540/HTR-5540RDS/DSP-AX430

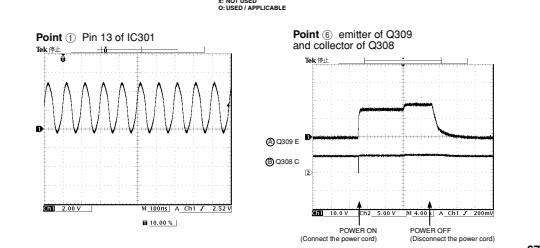


CAPACITOR		RESISTOR	
REMARKS	PARTS NAME	REMARKS	PARTS NAME
NO MARK	ELECTROLYTIC CAPACITOR	NO MARK	CARBON FILM RESISTOR (P-5)
①	TANTALUM CAPACITOR	①	CARBON FILM RESISTOR (P-10)
NO MARK	CERAMIC CAPACITOR	②	METAL OXIDE FILM RESISTOR
②	CERAMIC TUNABLE CAPACITOR	③	METAL FILM RESISTOR
③	POLYESTER FILM CAPACITOR	④	METAL OXIDE FILM RESISTOR
④	POLYPROPYLENE FILM CAPACITOR	⑤	FILM WOUND CARBON FILM RESISTOR
⑤	MYCA CAPACITOR	⑥	PRECISE HOLED RESISTOR
⑥	POLYPROPYLENE FILM CAPACITOR	⑦	PRECISE VARIABLE RESISTOR
⑦	BIPOCONDUCTIVE CERAMIC CAPACITOR	⑧	DUCT RESISTOR

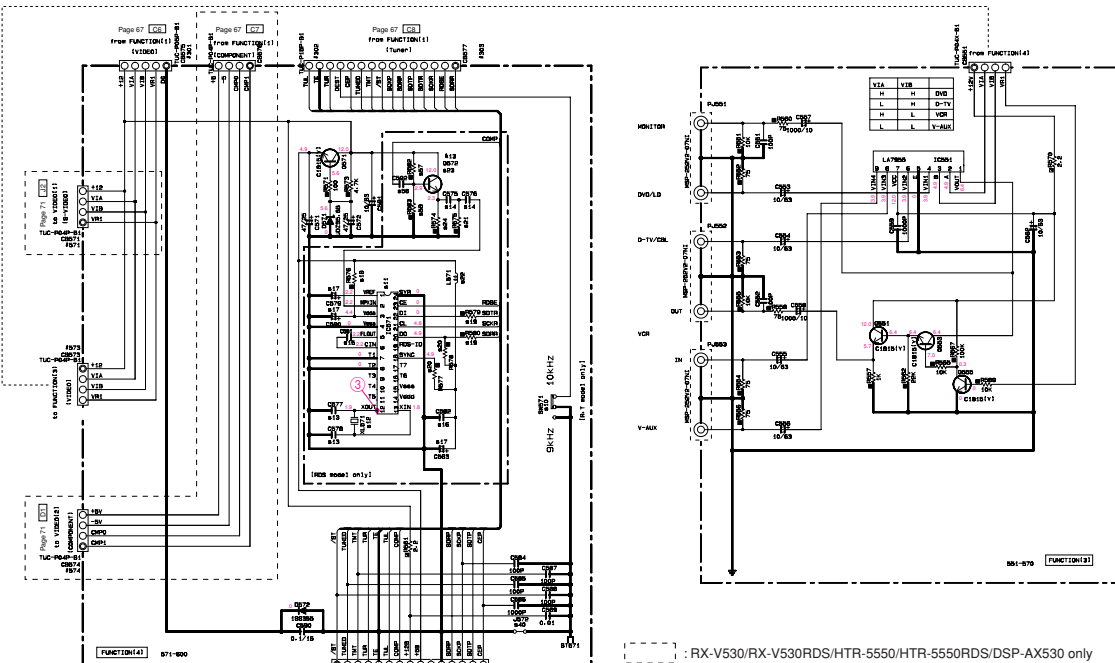
NOTICE (model)

- (J) JAPANESE
- (U) U.S.A.
- (C) CANADIAN
- (R) GENERAL
- (A) AUSTRALIAN
- (B) BRITISH
- (E) EUROPEAN
- (I) ITALIAN
- (L) SINGAPORE

Part No.	Part Name	QTY	Remarks
41	RES	1	RES
42	RES	1	RES
43	RES	1	RES
44	RES	1	RES
45	RES	1	RES
46	RES	1	RES
47	RES	1	RES
48	RES	1	RES
49	RES	1	RES
50	RES	1	RES



■ SCHEMATIC DIAGRAM (FUNCTION 2/2)



REMARKS	PARTS NAME	QTY
NO MARK	ELECTROLYTIC CAPACITOR	1
①	TANTALUM CAPACITOR	1
NO MARK	CERAMIC CAPACITOR	1
②	CERAMIC TUBULAR CAPACITOR	1
③	POLYESTER FILM CAPACITOR	1
④	POLYETHYLENE FILM CAPACITOR	1
⑤	MICA CAPACITOR	1
⑥	POLYPROPYLENE FILM CAPACITOR	1
⑦	SEMICONDUCTIVE CERAMIC CAPACITOR	1

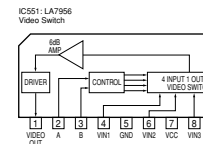
REMARKS	PARTS NAME	QTY
NO MARK	CARBON FILM RESISTOR (P=5)	1
①	CARBON FILM RESISTOR (P=10)	1
②	METAL OXIDE FILM RESISTOR	1
③	METAL FILM RESISTOR	1
④	METAL PLATE RESISTOR	1
⑤	FINE PITCH CARBON FILM RESISTOR	1
⑥	CEMENT MOUNTED RESISTOR	1
⑦	SEMI-VARIABLE RESISTOR	1
⑧	CHIP RESISTOR	1

NOTICE (model)

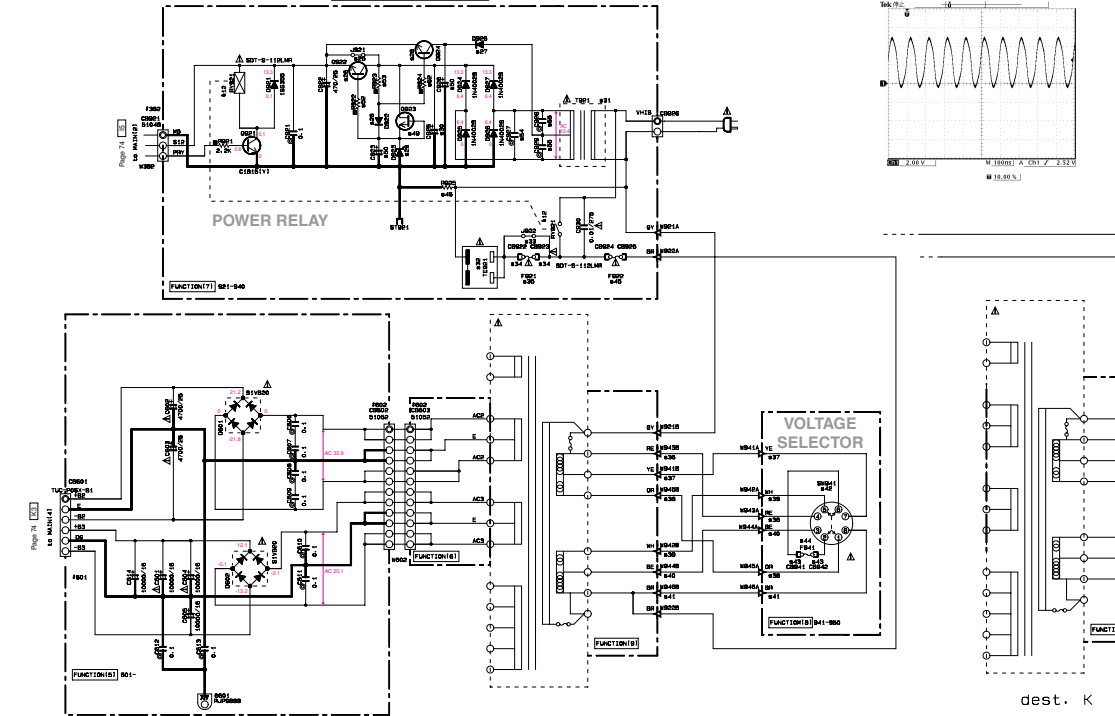
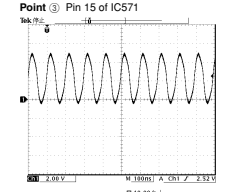
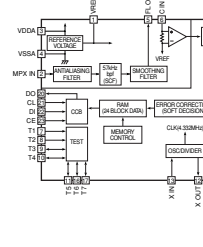
- (J)..... JAPANESE
- (U)..... U.S.A
- (C)..... CANADIAN
- (E)..... EUROPEAN
- (A)..... AUSTRALIAN
- (B)..... BRITISH
- (G)..... EUROPEAN
- (T)..... CHINA
- (L)..... SINGAPORE

Interchangeable Parts at Manufacture Stage

Mark	Reference Number	Parts Name
N11		
N12	R1901	80T-S-1134R 80101+10111 AL3021
N13	C870	99C1748(1747) 99C840(839) 99C311(1674/5)
N14		



IC571: LC7222 RDS Decoder



	J	U.C	R.T	A	B	G	L	K
N10	C871	X	X	VP0804B	X	X	X	X
N11	C871	X	X	X	X	X	X	X
N12	AL871	X	X	X	X	4.300K4	4.300K4	VP02000
N13	C877-878	X	X	X	X	270H	270H	V478110
N14	C875-876	X	X	X	X	UM02F33	UM02F33	X
N15	C881	X	X	X	X	800H	800H	UM02F06
N16	C880	X	X	X	X	0.1/16	0.1/16	UM02747
N17	C876-883-883	X	X	X	X	477H	477H	UM02F10
N18	R875	X	X	X	X	100	100	RC02010
N19	R876-880	X	X	X	X	470	470	RC02047
N20	R877-878	X	X	X	X	10K	10K	RC02010
N21	R875	X	X	X	X	20K	20K	RC02032
N22	L871	X	X	X	X	200uH	200uH	V480050
N23	C870	X	X	X	X	IC17400	IC17400	X
N24	R874	X	X	X	X	0.3K	0.3K	RC02033
N25	V801	0	0	X	0	0	0	0
N26	Q800-804	X	X	Q800(L=K)	X	X	X	X
N27	D808	X	X	1M4000	X	X	X	X
N28	D803	X	X	1S830	X	X	X	X
N29	D823	X	X	1L8130	X	X	X	X
N30	C820	X	X	10000	X	X	X	X
N31	T821	X	X	X	X	X	X	X
N32	T820	V484310	V484310	V480740	V481000	V484300	V484340	V484340
N33	V800	0	0	0	0	0	0	0
N34	C800A-802	X	X	X	X	X	X	X
N35	F801	X	X	X	X	X	X	X
N36	F803	X	X	H00814	X	X	X	X
N37	H841	X	X	H04800	X	X	X	X
N38	V840	X	X	H04800	X	X	X	X
N39	F840	X	X	H00810	X	X	X	X
N40	V844	X	X	H00800	X	X	X	X
N41	V846	X	X	H04800	X	X	X	X
N42	H844	X	X	V718330	X	X	X	X
N43	C841-842	X	X	VP20050	X	X	X	X
N44	F841	X	X	T3.15AL200V	X	X	X	X
N45	F800	T4.100V	T4.100V	T4.100V	T4.100V	T4.100V	T4.100V	T4.100V
N46	F800	X	X	X	X	X	X	X
N48	C823	X	X	100(1/1)	X	X	X	X
N49	C823-826	X	X	10/10	X	X	X	X
N50	F800-804	X	X	100	X	X	X	X
N53	F802	X	X	50K	X	X	X	X
N54	C807	0-01	0-01	0-01	0-01	0-01	0-01	0-01
N55	C806-809	X	X	0-01	X	X	X	X
N56	C800	X	X	X	100K	100K	UM02F10	X
N57	F800	X	X	X	100K	100K	RC02010	X
N58	F800	X	X	X	X	X	RC02073	X
N59	H847	X	X	X	X	X	X	H08007

X: NOT USED
 0: USED / APPLICABLE

* All voltages are measured with a 10MΩ/V DC electric volt meter.
 * Components having special characteristics are marked 1, and must be replaced with parts having specifications equal to those originally installed.
 * Schematic diagram is subject to change without notice.
 ● 電圧は、内部抵抗10MΩの電圧計で測定したものです。
 ● 1印のある部品は、安全性確保部品を示しています。部品の交換が必要な場合、パーツリストに記載されている部品を参照してください。
 ● 本回路図は標準回路図です。改良のため予告なく変更することがございます。

■ SCHEMATIC DIAGRAM (OPERATION)

REMARKS	PARTS NAME	
NO MARK	ELECTROLYTIC CAPACITOR	☐
⊗	TANTALUM CAPACITOR	☐
NO MARK	CERAMIC CAPACITOR	
⊙	CERAMIC TUBULAR CAPACITOR	
⊖	POLYESTER FILM CAPACITOR	
⊕	POLYSTYRENE FILM CAPACITOR	
Ⓜ	MICA CAPACITOR	
Ⓟ	POLYPROPYLENE FILM CAPACITOR	
Ⓢ	SEMICONDUCTIVE CERAMIC CAPACITOR	
Ⓣ	POLYPHENYLENE SULFIDE FILM CAPACITOR	

REMARKS	PARTS NAME	
NO MARK	CARBON FILM RESISTOR (P=5)	□
□	CARBON FILM RESISTOR (P=10)	□
△	METAL OXIDE FILM RESISTOR	
▲	METAL FILM RESISTOR	
⊠	METAL PLATE RESISTOR	
⊞	FIRE PROOF CARBON FILM RESISTOR	
Ⓜ	CEMENT MOLDED RESISTOR	
Ⓟ	SEMI VARIABLE RESISTOR	
Ⓢ	CHIP RESISTOR	

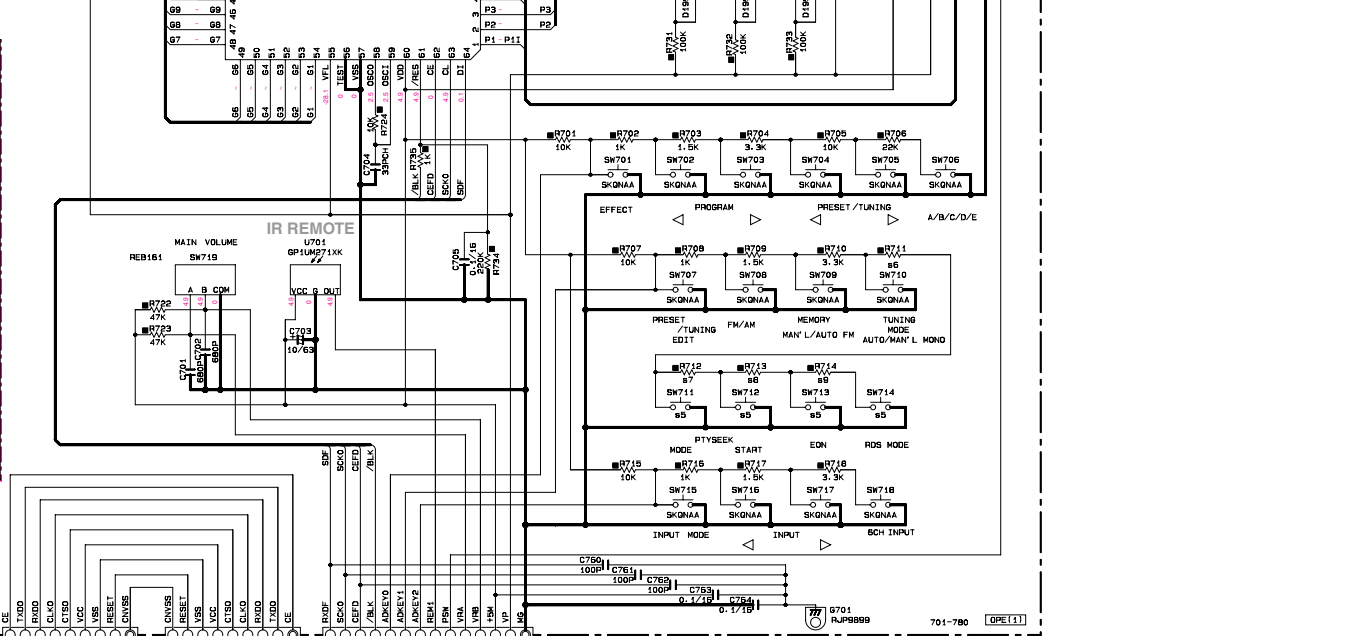
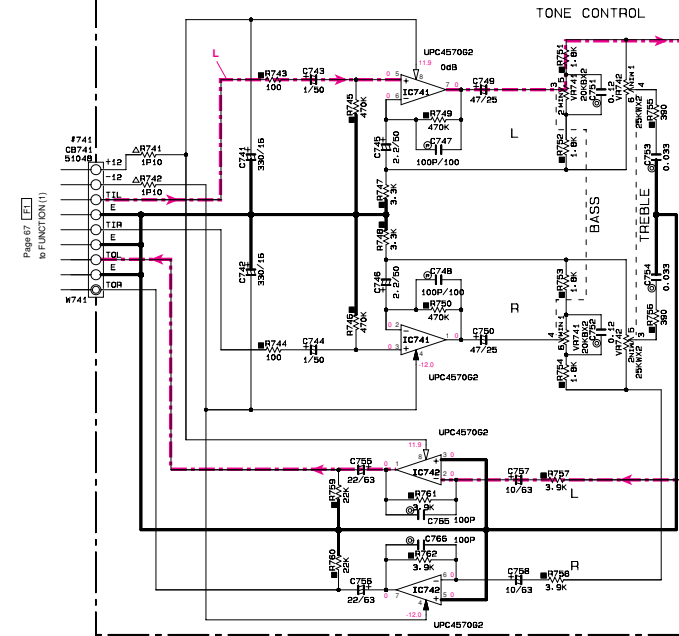
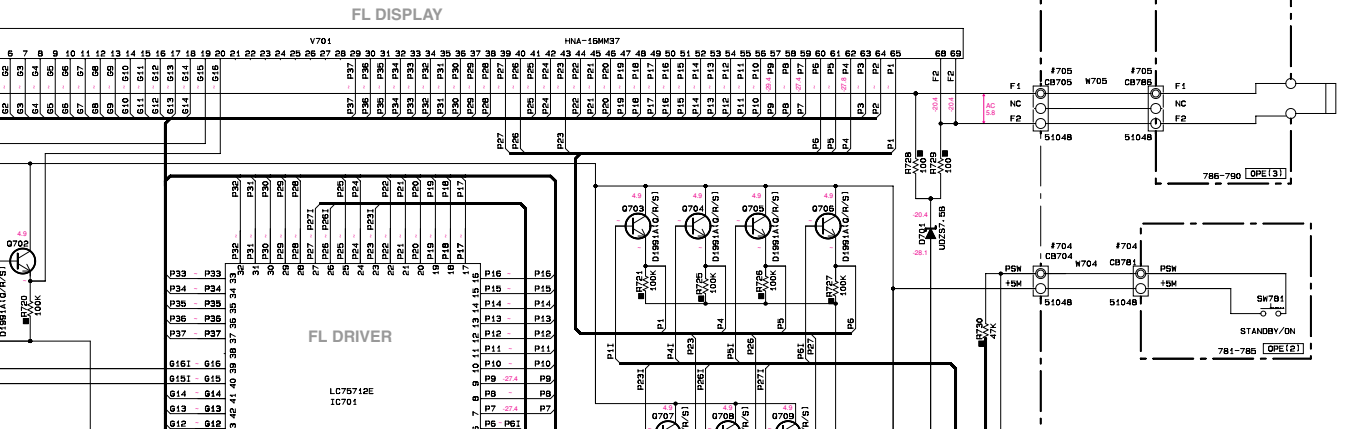
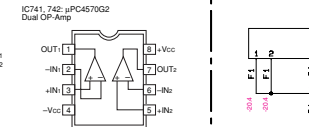
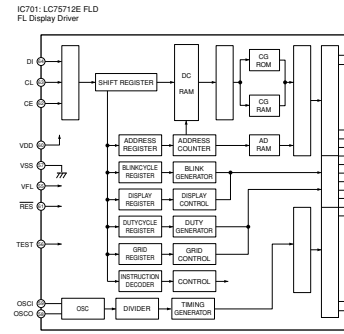
NOTICE (model)

- (J)..... JAPANESE
- (U)..... U. S. A.
- (C)..... CANADIAN
- (R)..... GENERAL
- (A)..... AUSTRALIAN
- (B)..... BRITISH
- (G)..... EUROPEAN
- (T)..... CHINA
- (L)..... SINGAPORE

	J-U-C-R-T K-A-L	B-G
#5 SW711-714	×	VV02030
#6 R711	×	10K R036710
#7 R712	×	20K R036722
#8 R713	×	47K R036747
#9 R714	×	200K R036822

- * All voltages are measured with a 10M Ω /V DC electric volt meter.
- * Components having special characteristics are marked ①, and must be replaced with parts having specifications equal to those originally installed.
- * Schematic diagram is subject to change without notice.

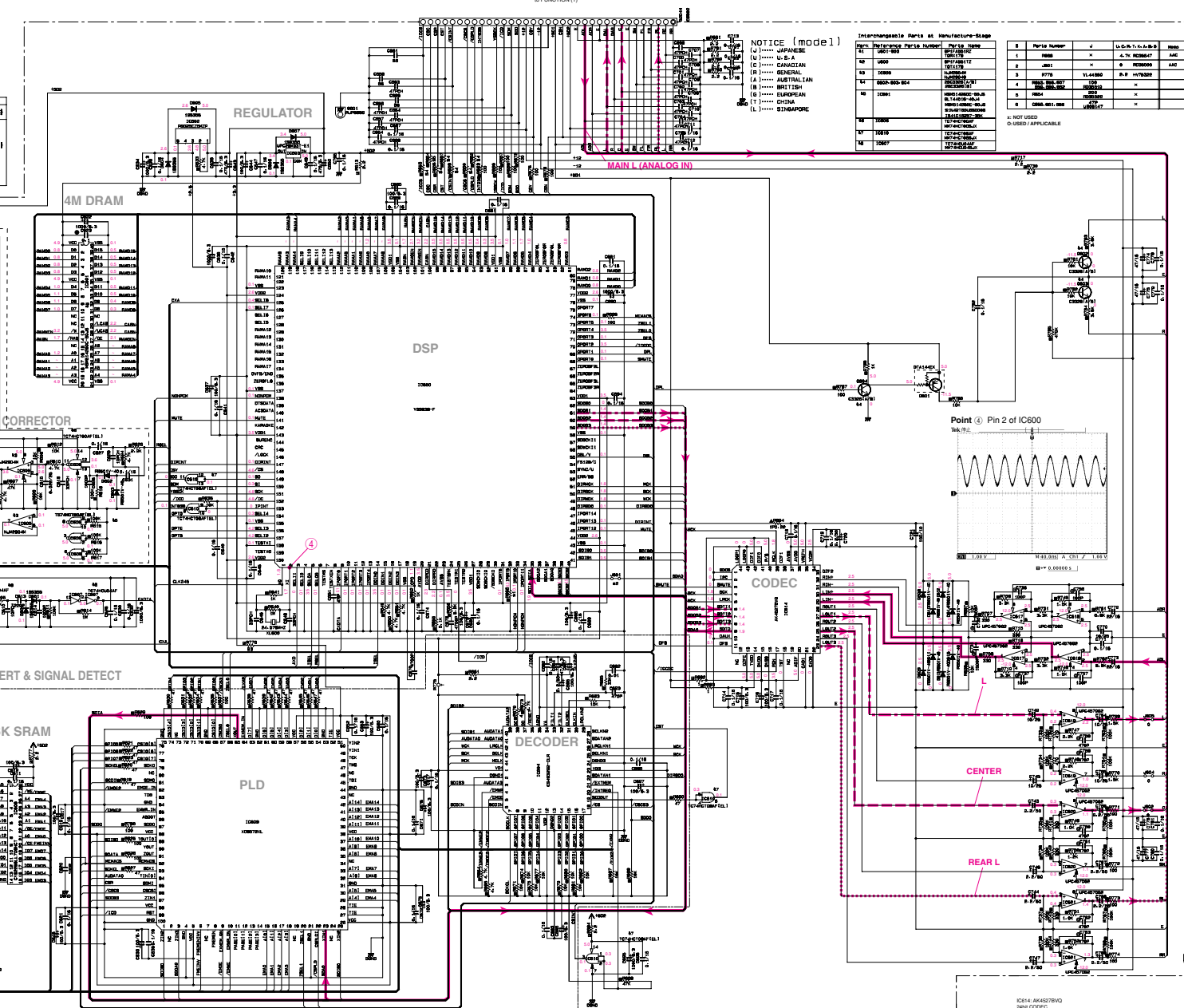
- 電圧は、内部抵抗10M Ω の電圧計で測定したものです。
- ①印のある部品は、安全性確保部品を示しています。部品の交換が必要な場合、パーツリストに記載されている部品を使用してください。
- 本回路図は標準回路図です。改良のため予告なく変更することがございます。



SCHEMATIC DIAGRAM (DSP)

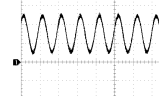
RESISTOR PARTS NAME table with symbols for carbon film, metal oxide film, metal plate, thick proof carbon film, conductive, semi-variable, and chip resistors.

CAPACITOR PARTS NAME table with symbols for electrolytic, tantalum, ceramic tubular, polyester film, polyethylene film, mica, polypropylene film, and polyethylene sulfide film capacitors.

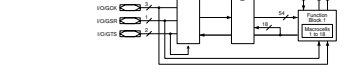
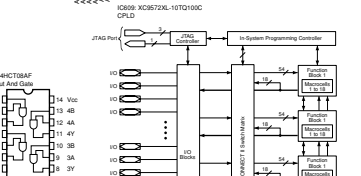
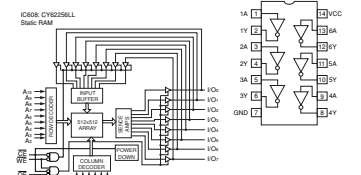
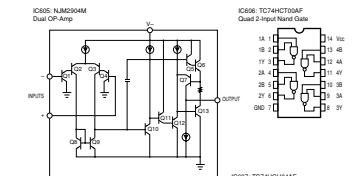
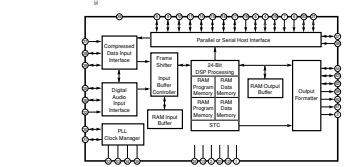
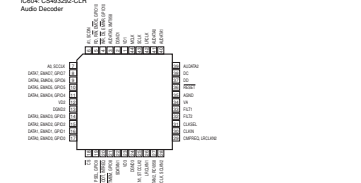
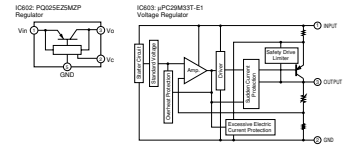
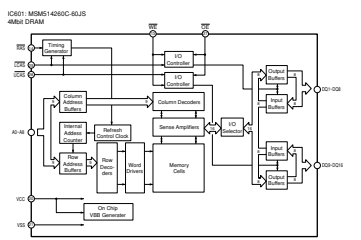


NOTICE (model)
J ***** JAPANESE
U ***** U.S.A.
C ***** CANADIAN
R ***** GENERAL
A ***** AUSTRALIAN
B ***** BRITISH
E ***** EUROPEAN
T ***** CHINA
L ***** SINGAPORE

Interchangeable Parts at Manufacture Stage table with columns for Part No., Part Name, U.S. Part No., and Remarks.



CENTER
REAR L

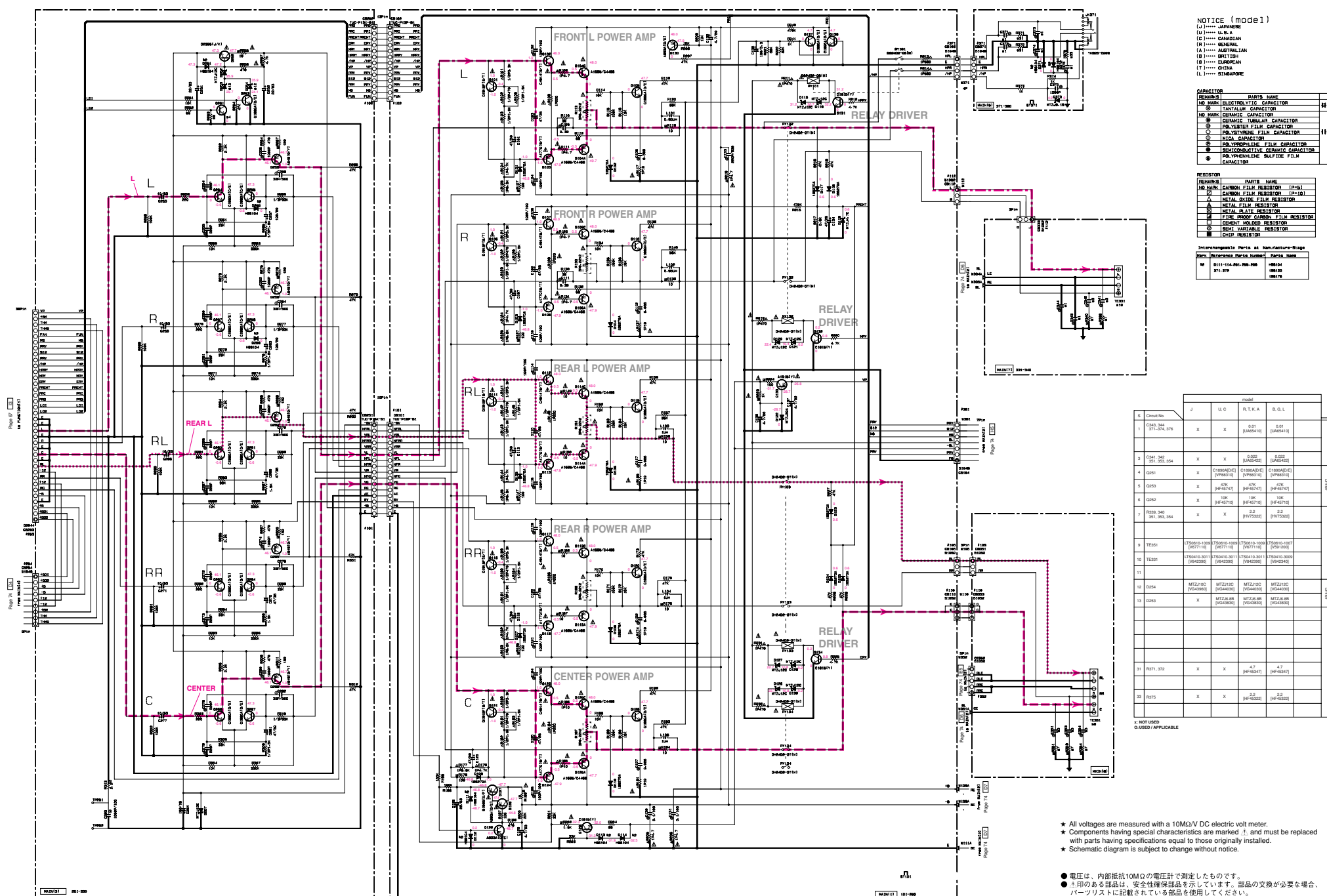


: RX-V530/RX-V530RDS/HTR-5550/HTR-5550RDS/DSP-AX530 only

J model only (DSP-AX530/DSP-AX430)

- All voltages are measured with a 10MΩ/V DC electric volt meter.
- Components having special characteristics are marked * and must be replaced with parts having specifications equal to those originally installed.
- Schematic diagram is subject to change without notice.
- 電圧は、内部抵抗10MΩの電圧計で測定したものです。
- *印のある部品は、安全性確保部品を示しています。部品の交換が必要な場合、パーツリストに記載されている部品を使用してください。
- 本回路図は標準回路図です。改良のため予告なく変更することがございます。

■ SCHEMATIC DIAGRAM (MAIN 1/2) RX-V530/RX-V530RDS/HTR-5550/HTR-5550RDS/DSP-AX530/RX-V430RDS/HTR-5540RDS only



NOTICE (model)
 (J)..... JAPANESE
 (U)..... U.S.A.
 (C)..... CANADIAN
 (R)..... GENERAL
 (A)..... AUSTRALIAN
 (E)..... BRITISH
 (D)..... EUROPEAN
 (T)..... CHINA
 (L)..... SINGAPORE

CAPACITOR

REMARKS	PARTS NAME	UNIT
NO MARK	ELECTROLYTIC CAPACITOR	μF
◎	TANTALUM CAPACITOR	μF
○	CEMICAP CERAMIC CAPACITOR	μF
○	NON-VARIABLE FILM CAPACITOR	μF
○	POLYESTER FILM CAPACITOR	μF
○	MICA CAPACITOR	μF
○	POLYPROPYLENE FILM CAPACITOR	μF
○	BIPOLELECTRIFIC CERAMIC CAPACITOR	μF
○	POLYPROPYLENE SULFIDE FILM CAPACITOR	μF

RESISTOR

REMARKS	PARTS NAME	UNIT
NO MARK	CARBON FILM RESISTOR (1/4W)	Ω
□	CARBON FILM RESISTOR (1/10W)	Ω
△	METAL FILM RESISTOR	Ω
◇	METAL PLATE RESISTOR	Ω
○	FILM THICK CARBON FILM RESISTOR	Ω
○	CEMENT MOUNTED RESISTOR	Ω
■	CHIP RESISTOR	Ω

Interchangeable Parts at Manufacture Stage

Part No.	Reference Part No.	Part No.	Part No.
M	D111-114-001-000-000	4804A	4804A
	071-070	18010	18010

8	Circuit No.	J	U.C	model	R.T.K.A	E.G.L	
	C245-344 271-374-376	X	X	0.01 (JMS410)	0.01 (JMS410)		
	C241-342 351-353-354	X	X	0.002 (JMS402)	0.002 (JMS402)		
	C201	X		0.000001 (F98310)	0.000001 (F98310)		
	D203	X	X	47K (HF4570)	47K (HF4570)		
	D205	X	X	10K (HF4570)	10K (HF4570)		
	R233-340 351-353-354	X	X	2.2 (HV7302)	2.2 (HV7302)		
	TE301			1700410-1000 (W77110)	1700410-1000 (W77110)	1700410-1000 (W77110)	
	TE301			170410-3011 (V40200)	170410-3011 (V40200)	170410-3009 (V40400)	
	D204			MF21100 (V64400)	MF21100 (V64400)	MF21100 (V64400)	
	D203	X	X	MF21100 (V64400)	MF21100 (V64400)	MF21100 (V64400)	
	R201-372	X	X	4.7 (HF4547)	4.7 (HF4547)		
	R210	X	X	2.2 (HF4520)	2.2 (HF4520)		

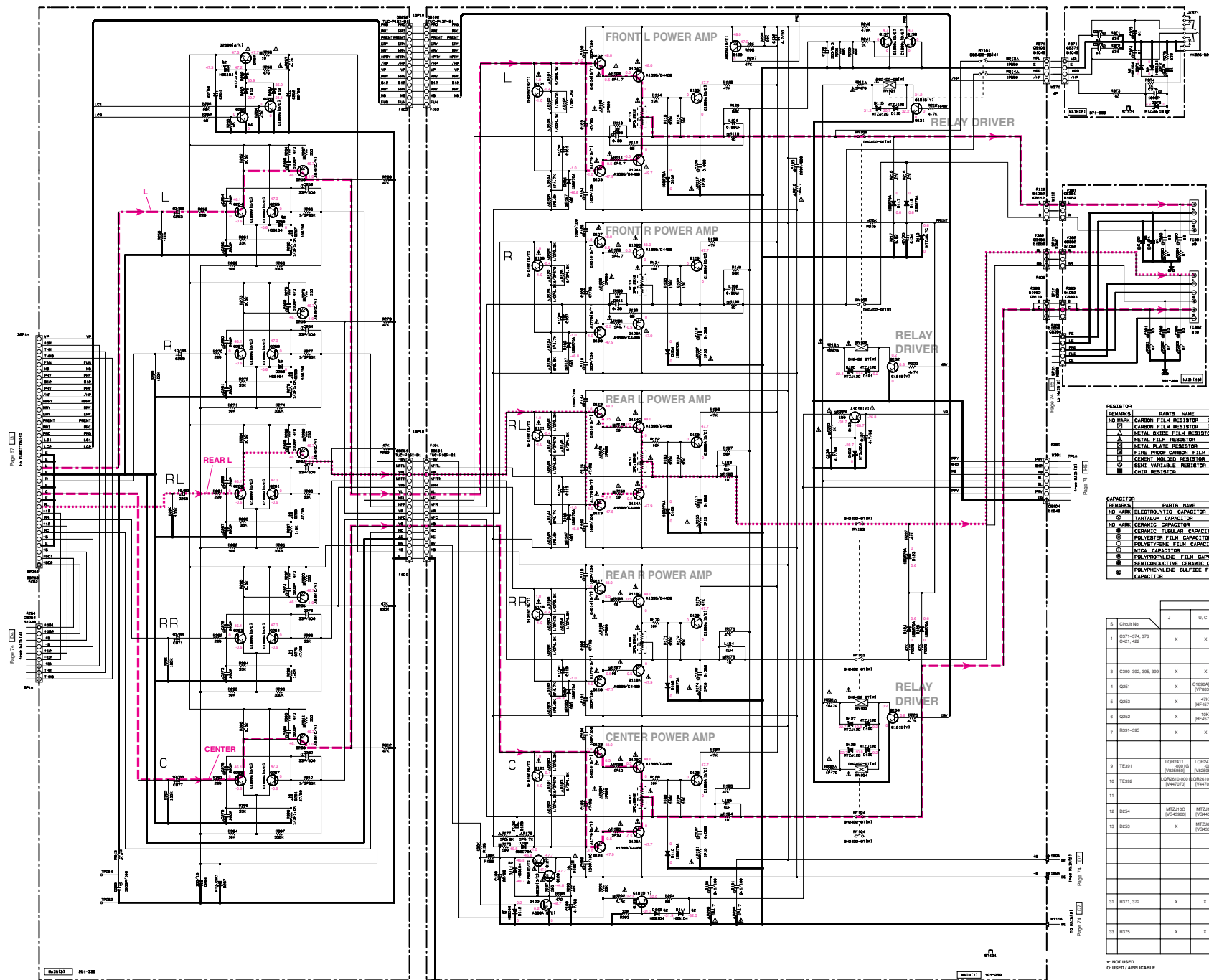
○ NOT USED
 □ CIRCLED / APPLICABLE

★ All voltages are measured with a 10MΩ/V DC electric volt meter.
 ★ Components having special characteristics are marked ! and must be replaced with parts having specifications equal to those originally installed.
 ★ Schematic diagram is subject to change without notice.

● 電圧は、内部抵抗10MΩの電圧計で測定したものです。
 ● !印のある部品は、安全性確保部品を示しています。部品の交換が必要な場合、パーツリストに記載されている部品を使用してください。
 ● 本回路図は標準回路図です。改良のため予告なく変更することがございます。

■ SCHEMATIC DIAGRAM (MAIN 1/2) RX-V530/HTR-5540/DSP-AX430 only

RX-V530/RX-V530RDS/HTR-5550/HTR-5550RDS/DSP-AX530
RX-V430/RX-V430RDS/HTR-5540/HTR-5540RDS/DSP-AX430



RESISTOR

RESISOR	PARTS NAME	MANUFACTURE NUMBER	RESISOR VALUE
NO MARK	CARBON FILM RESISTOR (F-D)		
□	CARBON FILM RESISTOR (F-D)		
△	METAL OXIDE FILM RESISTOR		
○	METAL FILM RESISTOR		
■	METAL PLATE RESISTOR		
◇	FINE PITCH CARBON FILM RESISTOR		
◇	CONDUIT HOLED RESISTOR		
◇	SEMI VARIABLE RESISTOR		
◇	CHIP RESISTOR		

CAPACITOR

RESISOR	PARTS NAME	MANUFACTURE NUMBER	RESISOR VALUE
NO MARK	ELECTROLYTIC CAPACITOR		
○	TANTALUM CAPACITOR		
○	CERAMIC CAPACITOR		
○	GENERAL PURPOSE CAPACITOR		
○	POLYESTER FILM CAPACITOR		
○	POLYPROPYLENE FILM CAPACITOR		
○	SOIL CAPACITOR		
○	POLYPROPYLENE FILM CAPACITOR		
○	NONINDUCTIVE CERAMIC CAPACITOR		
○	POLYPROPYLENE SULFIDE FILM CAPACITOR		

NOTICE (model)

○ J JAPANESE
 U U.S.A.
 C CANADIAN
 R GENERAL
 A AUSTRALIAN
 B BRITISH
 E EUROPEAN
 T CHINA
 L SINGAPORE

Chart No.	J	U.C	R.T.K.A	L
1 C271-274, 376 C281-322	X	X	0.01 [JMS410]	0.01 [JMS410]
2 C390-392, 395, 399	X	X	0.02 [JMS420]	0.02 [JMS420]
4 G251	X	C186A(4E) [YF8510]	C186A(4E) [YF8510]	C186A(4E) [YF8510]
5 G255	X	47K [HF45747]	47K [HF45747]	47K [HF45747]
6 G252	X	10K [HF45710]	10K [HF45710]	10K [HF45710]
7 R311-315	X	X	2.2 [YF75202]	2.2 [YF75202]
9 TE301	LC92411 [Y462011]	LC92411 [Y462011]	LC92411 [Y462011]	LC92411 [Y462011]
10 TE302	GD5011-0000 [Y447010]	GD5011-0000 [Y447010]	GD5011-0000 [Y447010]	GD5011-0000 [Y447010]
11				
12 D254	MTZ12C [Y543805]	MTZ12C [Y543805]	MTZ12C [Y543805]	MTZ12C [Y543805]
13 D253	X	MTZ16.6B [Y543805]	MTZ16.6B [Y543805]	MTZ16.6B [Y543805]
31 R371, 372	X	X	4.7 [HF45471]	4.7 [HF45471]
33 R375	X	X	2.2 [HF45202]	2.2 [HF45202]

○ NOT USED
 X USED / APPLICABLE

WIRE NO. TO WATER Page 74

* All voltages are measured with a 10MΩV DC electric volt meter.
 * Components having special characteristics are marked with a triangle and must be replaced with parts having specifications equal to those originally installed.
 * Schematic diagram is subject to change without notice.

● 電圧は、内部抵抗10MΩの電圧計で測定したものです。
 ● 印のある部品は、安全確保部品を示しています。部品の交換が必要な場合、パーツリストに記載されている部品を使用してください。
 ● 本回路図は標準回路図です。改良のため予告なく変更することがございます。

■ SCHEMATIC DIAGRAM / (MAIN 2/2)

RESISTOR

REMARKS	PARTS NAME
NO MARK	CARBON FILM RESISTOR (P=5)
☒	CARBON FILM RESISTOR (P=10)
△	METAL OXIDE FILM RESISTOR
⊠	METAL FILM RESISTOR
⊡	METAL PLATE RESISTOR
▨	FIRE PROOF CARBON FILM RESISTOR
□	CEMENT MOLDED RESISTOR
⊕	SEMI VARIABLE RESISTOR
■	CHIP RESISTOR

CAPACITOR

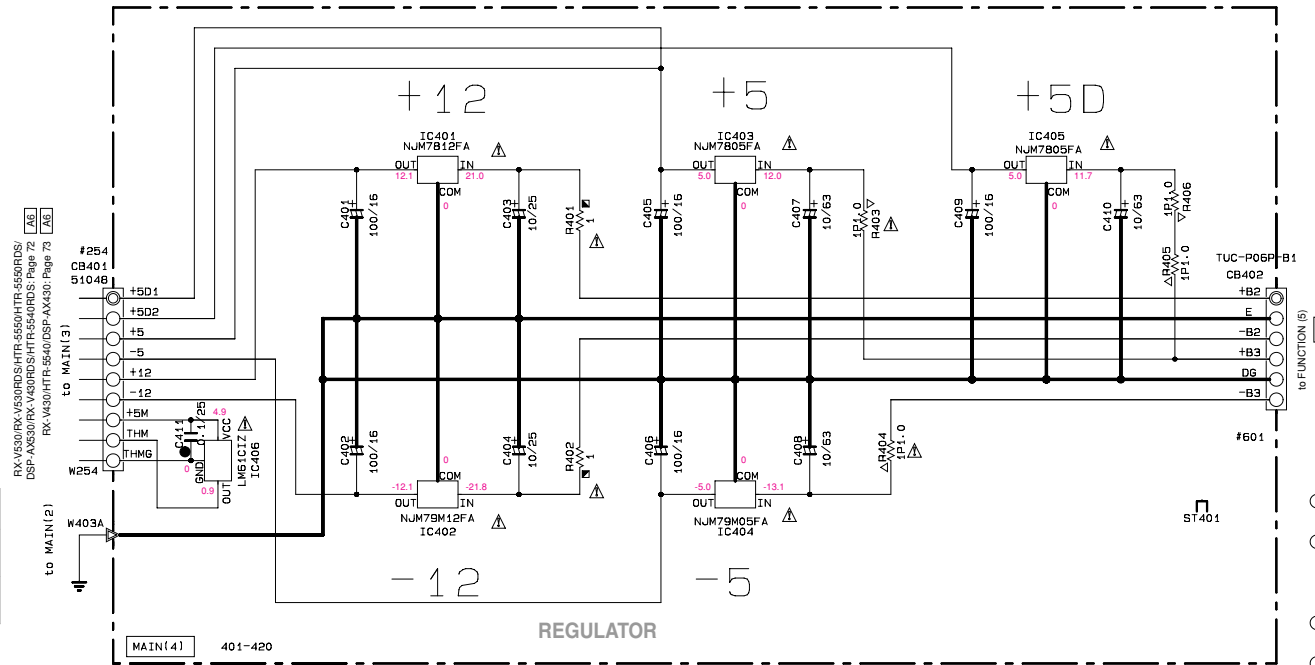
REMARKS	PARTS NAME
NO MARK	ELECTROLYTIC CAPACITOR
⊗	TANTALUM CAPACITOR
NO MARK	CERAMIC CAPACITOR
●	CERAMIC TUBULAR CAPACITOR
⊙	POLYESTER FILM CAPACITOR
○	POLYSTYRENE FILM CAPACITOR
⊖	MICA CAPACITOR
⊕	POLYPROPYLENE FILM CAPACITOR
⊗	SEMICONDUCTIVE CERAMIC CAPACITOR

NOTICE (model)

- (J)..... JAPANESE
- (U)..... U. S. A
- (C)..... CANADIAN
- (R)..... GENERAL
- (A)..... AUSTRALIAN
- (B)..... BRITISH
- (G)..... EUROPEAN
- (T)..... CHINA
- (L)..... SINGAPORE

6	Circuit No.	J	U. C. R. T. K
21	J3B1, 3B2	D	X
22	SW3B1	X	SL13B-022AMCS [V410420]

x: NOT USED
 o: USED/APPLICABLE



RX-V530/RX-V530RDS/HTR-5550/HTR-5550RDS/
 DSP-AX530/RX-V430RDS/HTR-5540RDS: Page 72
 RX-V430/HTR-5540/DSP-AX430: Page 73

RX-V530/RX-V530RDS/HTR-5550/HTR-5550RDS/
 DSP-AX530/RX-V430RDS/HTR-5540RDS: Page 72
 RX-V430/HTR-5540/DSP-AX430: Page 73

RX-V530/RX-V530RDS/HTR-5550/HTR-5550RDS/
 DSP-AX530/RX-V430RDS/HTR-5540RDS only: Page 72

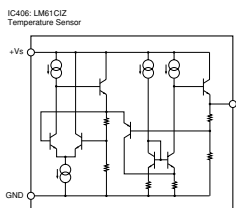
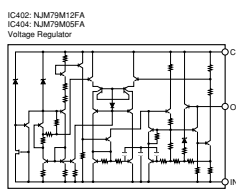
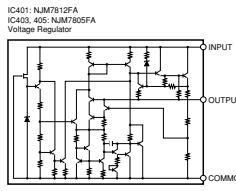
RX-V530/RX-V530RDS/HTR-5550/HTR-5550RDS/
 DSP-AX530/RX-V430RDS/HTR-5540RDS: Page 72
 RX-V430/HTR-5540/DSP-AX430: Page 73

RX-V530/RX-V530RDS/HTR-5550/HTR-5550RDS/
 DSP-AX530/RX-V430RDS/HTR-5540RDS: Page 72
 RX-V430/HTR-5540/DSP-AX430: Page 73

RX-V530/RX-V530RDS/HTR-5550/HTR-5550RDS/
 DSP-AX530/RX-V430RDS/HTR-5540RDS: Page 72
 RX-V430/HTR-5540/DSP-AX430: Page 73

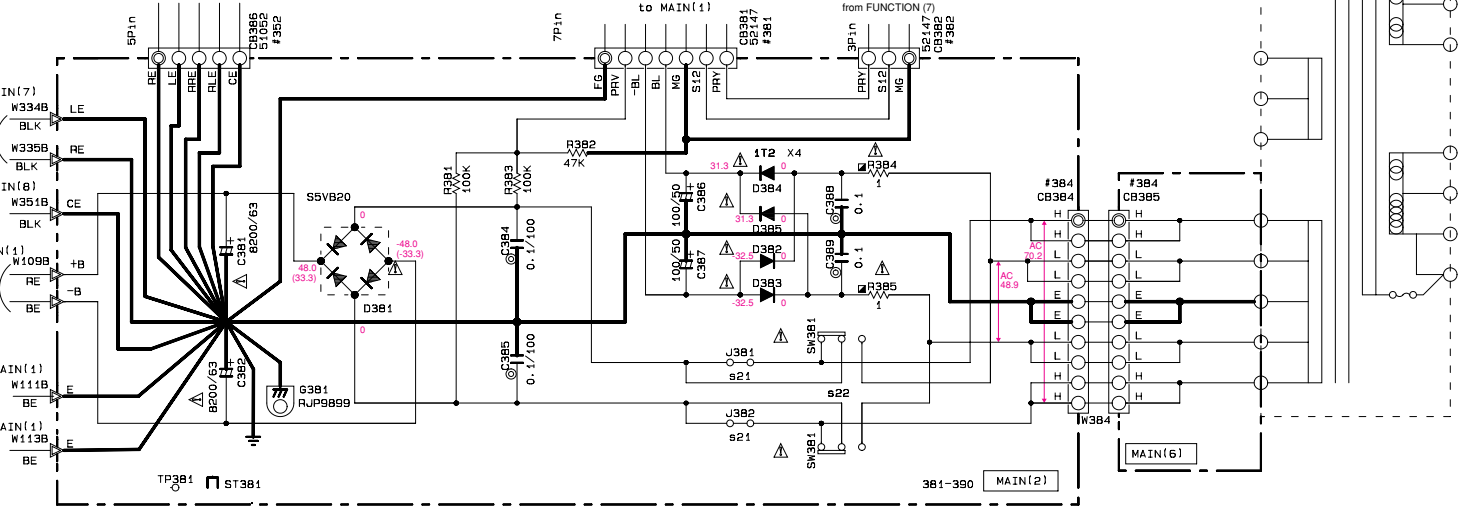
RX-V530/RX-V530RDS/HTR-5550/HTR-5550RDS/
 DSP-AX530/RX-V430RDS/HTR-5540RDS: Page 72
 RX-V430/HTR-5540/DSP-AX430: Page 73

RX-V530/RX-V530RDS/HTR-5550/HTR-5550RDS/
 DSP-AX530/RX-V430RDS/HTR-5540RDS: Page 72
 RX-V430/HTR-5540/DSP-AX430: Page 73



RX-V530/RX-V530RDS/HTR-5550/HTR-5550RDS/
 DSP-AX530/RX-V430RDS/HTR-5540RDS: Page 72 to MAIN (8)
 RX-V430/HTR-5540/DSP-AX430: Page 73 to MAIN (10)

RX-V530/RX-V530RDS/HTR-5550/HTR-5550RDS/
 DSP-AX530/RX-V430RDS/HTR-5540RDS: Page 72
 RX-V430/HTR-5540/DSP-AX430: Page 73



RX-V530/RX-V530RDS/HTR-5550/HTR-5550RDS/
 DSP-AX530/RX-V430RDS/HTR-5540RDS only: Page 72

RX-V530/RX-V530RDS/HTR-5550/HTR-5550RDS/
 DSP-AX530/RX-V430RDS/HTR-5540RDS: Page 72
 RX-V430/HTR-5540/DSP-AX430: Page 73

RX-V530/RX-V530RDS/HTR-5550/HTR-5550RDS/
 DSP-AX530/RX-V430RDS/HTR-5540RDS: Page 72
 RX-V430/HTR-5540/DSP-AX430: Page 73

RX-V530/RX-V530RDS/HTR-5550/HTR-5550RDS/
 DSP-AX530/RX-V430RDS/HTR-5540RDS: Page 72
 RX-V430/HTR-5540/DSP-AX430: Page 73

RX-V530/RX-V530RDS/HTR-5550/HTR-5550RDS/
 DSP-AX530/RX-V430RDS/HTR-5540RDS: Page 72
 RX-V430/HTR-5540/DSP-AX430: Page 73

RX-V530/RX-V530RDS/HTR-5550/HTR-5550RDS/
 DSP-AX530/RX-V430RDS/HTR-5540RDS: Page 72
 RX-V430/HTR-5540/DSP-AX430: Page 73

★ All voltages are measured with a 10MΩ/V DC electric volt meter.
 ★ Components having special characteristics are marked △, and must be replaced with parts having specifications equal to those originally installed.
 ★ Schematic diagram is subject to change without notice.

● 電圧は、内部抵抗10MΩの電圧計で測定したものです。
 ● △印のある部品は、安全性確保部品を示しています。部品の交換が必要な場合、パーツリストに記載されている部品を使用してください。
 ● 本回路図は標準回路図です。改良のため予告なく変更することがございます。

to FUNCTION (5)
 Page 68 [A8]

to FUNCTION (5)
 Page 68 [A8]

to FUNCTION (5)
 Page 68 [A8]

to FUNCTION (5)
 Page 68 [A8]

to FUNCTION (5)
 Page 68 [A8]

to FUNCTION (5)
 Page 68 [A8]

to FUNCTION (5)
 Page 68 [A8]

to FUNCTION (5)
 Page 68 [A8]